

结构优势与特点 Structural advantages and characteristics

1. 符合国内外先进标准的要求，密封可靠，性能优良，造型美观。
2. 闸板、阀座密封面用铁基合金堆焊或司太立 (stellite) 钴基硬质合金堆焊而成，耐磨、耐湿、耐腐蚀、抗擦伤性能好、使用寿命长。
3. 采用楔式弹性闸板结构，中大口径设置滚动轴承，开关灵活，启闭轻松。
4. 阀杆经调质及表面氮化处理，有良好的抗腐蚀性，抗擦伤性和耐磨性。
5. 可采用各种配管法兰标准及法兰密封面型式，满足各种工程需要及用户要求。
6. 阀体材料品种齐全，填料、垫片可根据实际工况或用户要求合理选配，能适用于各种压力、温度及介质工况。

1. It meets the requirements of domestic and foreign advanced standards; has reliable sealing, excellent performance and beautiful appearance.
2. The sealing surface of the gate and valve seat is made of iron-based alloy surfacing or stellite cobalt-based cemented carbide, which has good wear resistance, moisture resistance, corrosion resistance, scratch resistance and long service life.
3. It adopts wedge-type elastic gate structure, medium and large diameters are equipped with rolling bearings, the switch is flexible, and the opening and closing is easy.
4. After quenching and tempering and surface nitriding treatment, the valve stem has good corrosion resistance, scratch resistance and wear resistance.
5. Various piping flange standards and flange sealing surface types can be used to meet various engineering needs and user requirements.
6. The valve body has a complete variety of materials, and the packing and gasket can be reasonably selected according to actual working conditions or user requirements, which can be suitable for various pressure, temperature and medium working conditions.

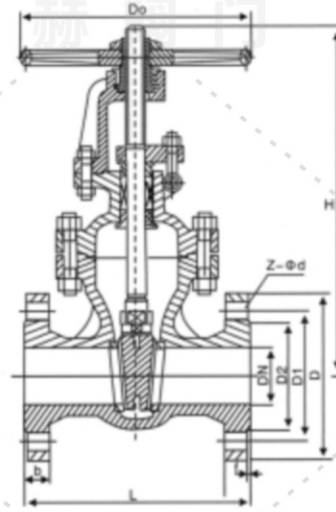
标准与规范 Standards and norms

设计与制造 Design and manufacture	结构长度 Structure length	压力-温度等级 Pressure-temperature rating	试验与检验 Test and inspection	连接法兰 Connecting flange
GB 12234	GB 12221	GB 9131 HG 20604	JB/T79.1-2-94 GB 9113 HG 20592-20635	JB/T9092-1999 GB 13927-92

标准与规范 Standards and norms

零件名称 Part name	材料牌号 Material grade					
阀体 Body	WCB	ZGCr5Mo	CF8	316 CFEM	CF3	CF3M
阀盖 Bonnet	WCB	12CrMoV 12CrMoV	304 CF8	CF8M ZG1Cr18Ni9Ti	CF3	316L CF3M
支架 Support	WCB	WCB	CF8	CF8M	CF3	CF3M
闸板 Gate	WCB	WCB	CF8	CF8M	CF3	CF3M
阀杆 Stem	2Cr13	25Cr-12MoV	1Cr18Ni9Ti			
阀座 Seat	25	304	304	304	304	304
垫片、垫环、密封环 Gasket, padding, sealing ring	包覆垫片, 304, 增强柔性石墨 Cover gasket, 304, reinforced flexible graphite					
填料 Packing	增强柔性石墨 reinforced flexible graphite					
阀杆螺母 Stem nut	ZCuA110Fe3					

Z41Y-16
W 25 C, I, P, R



主要连接尺寸 Main connection size

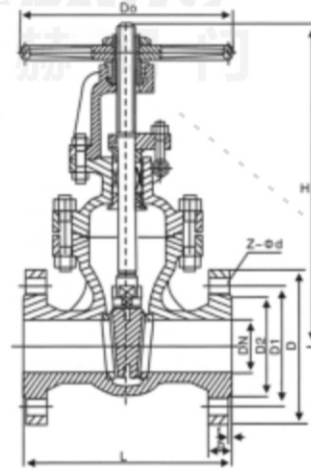
公称压力 PN(MPa)	公称通径 DN (mm)	尺寸 Size(mm)							
		L	D	D1	D2	b-f	Z-Ød	H	D0
1.0	15	130	95	65	46	14-2	4-Ø14	160	100
	20	150	105	75	56	16-2	4-Ø14	165	100
	25	160	115	85	65	16-2	4-Ø14	200	125
	32	180	140	100	76	18-2	4-Ø18	240	125
	40	200	150	110	84	18-2	4-Ø18	245	135
	50	180	165	125	99	20-2	4-Ø18	286	180
	65	195	185	145	118	20-2	4-Ø18	320	180
	80	210	200	160	132	20-2	8-Ø18	373	200
	100	230	220	180	156	22-2	8-Ø18	428	200
	125	255	250	210	184	22-2	8-Ø18	513	240
	150	280	285	240	211	24-2	8-Ø22	582	240
	200	330	340	295	266	24-2	8-Ø22	730	320
	250	380	395	350	319	26-2	12-Ø22	897	320
	300	420	445	400	370	26-2	12-Ø22	1032	400
	350	450	505	460	429	26-2	16-Ø22	1170	400
	400	480	565	515	480	26-2	16-Ø26	1330	500
	450	510	615	565	530	28-2	20-Ø26	1460	500
	500	540	670	620	582	28-2	20-Ø26	1650	500
600	600	780	725	682	34-2	20-Ø30	1830	600	
700	660	895	840	794	34-5	24-Ø30	2120	700	
800	730	1015	950	901	36-5	24-Ø33	2420	800	
900	800	1115	1050	1001	38-5	28-Ø33	2750	850	
1000	850	1230	1160	1112	38-5	28-Ø36	3130	900	

Z41Y-16C、I、P、R
W

主要连接尺寸 Main connection size

公称压力 PN(MPa)	公称通径 DN (mm)	尺寸 Size(mm)							
		L	D	D1	D2	b-f	Z-Ød	H	D0
1.6	15	130	95	65	45	14-2	4-Ø14	170	120
	20	150	105	75	55	14-2	4-Ø14	190	140
	25	160	115	85	65	14-2	4-Ø14	205	160
	32	180	135	100	78	16-2	4-Ø18	270	180
	40	200	145	110	85	16-3	4-Ø18	310	200
	50	250	160	125	100	16-3	4-Ø18	358	240
	65	265	180	145	120	18-3	4-Ø18	373	240
	80	280	195	160	135	20-3	8-Ø18	435	280
	100	300	215	180	155	20-3	8-Ø18	500	300
	125	325	245	210	185	22-3	8-Ø18	614	320
	150	350	280	240	210	24-3	8-Ø23	674	360
	200	400	335	295	265	26-3	12-Ø23	811	400
	250	450	405	355	320	30-3	12-Ø25	969	450
	300	500	460	410	375	30-4	12-Ø25	1145	580
	350	550	520	470	435	34-4	16-Ø25	1280	640
	400	600	580	525	485	36-4	16-Ø30	1452	640
	450	650	640	585	545	40-4	20-Ø30	1541	720
	500	700	705	650	608	44-4	20-Ø34	1676	720
	600	800	840	770	718	48-5	20-Ø36	1874	800
	700	900	910	840	788	50-5	24-Ø36	2083	800
800	1000	1020	950	898	52-5	24-Ø40	2400	850	
900	1100	1120	1050	998	54-5	28-Ø41	2950	1000	
1000	1200	1255	1170	1110	56-5	28-Ø42	3245	1000	
2.5	15	130	95	65	45	16-2	4-Ø14	170	120
	20	150	105	75	55	16-2	4-Ø14	190	140
	25	160	115	85	65	16-2	4-Ø14	205	160
	32	180	135	100	78	18-2	4-Ø18	270	180
	40	200	145	110	85	18-3	4-Ø18	310	200
	50	250	160	125	100	20-3	8-Ø18	358	240
	65	265	180	145	120	22-3	8-Ø18	373	240
	80	280	195	160	135	22-3	8-Ø23	435	280
	100	300	230	190	160	24-3	8-Ø25	500	300
	125	325	270	220	188	28-3	8-Ø25	614	320
	150	350	300	250	218	30-3	12-Ø25	674	360
	200	400	360	310	278	34-3	12-Ø30	811	400
	250	450	425	370	332	36-3	16-Ø30	969	450
	300	500	485	430	390	40-4	16-Ø34	1145	580
	350	550	550	490	448	44-4	16-Ø34	1280	640
	400	600	610	550	505	48-4	20-Ø34	1452	640
	450	650	660	600	555	50-4	20-Ø34	1541	720
	500	700	730	660	610	52-4	20-Ø36	1676	720
	600	800	840	770	718	56-4	20-Ø41	1874	800
	700	900	955	875	815	60-5	24-Ø42	2083	800
800	1000	1070	990	930	64-5	24-Ø48	2400	950	
900	1100	1180	1090	1025	66-5	28-Ø48	2950	1000	
1000	1200	1305	1210	1140	68-5	28-Ø58	3245	1000	

H
Z41Y-40
W 64 C, I, P, R



主要连接尺寸 Main connection size

公称压力 PN(MPa)	公称通径 DN (mm)	尺寸 Size(mm)									
		L	D	D1	D2	D6	b-f	f1	Z-Ød	H	D0
4.0	15	130	95	65	45	40	16-2	4	4-14	135	120
	20	150	105	75	55	51	16-2	4	4-14	190	140
	25	160	115	85	65	58	16-2	4	4-14	205	160
	32	180	135	100	78	66	18-2	4	4-18	270	180
	40	200	145	110	85	76	18-3	4	4-18	310	200
	50	250	160	125	100	88	20-3	4	4-18	371	280
	65	280	180	145	120	110	22-3	4	8-18	391	280
	80	310	195	160	135	121	22-3	4	8-18	455	320
	100	350	230	190	160	150	24-3	4.5	8-23	551	360
	125	400	270	220	188	175	28-3	4.5	8-25	628	400
	150	450	300	250	218	204	30-3	4.5	8-25	708	400
	200	550	375	320	282	260	38-3	4.5	12-30	885	450
	250	650	445	385	345	313	42-3	4.5	12-34	906	560
	300	750	510	450	408	364	46-4	4.5	16-34	1203	640
	350	850	570	510	465	422	52-4	5	16-34	1341	640
	400	950	655	585	535	474	58-4	5	16-41	1492	720
500	1150	755	670	612	576	62-4	5	20-48	1627	/	
600	1350	890	795	730	678	62-5	6	20-54	1925	/	
700	1450	995	900	835	768	68-5	6	24-54	2310	/	
800	1650	1135	1030	960	876	76-5	6	24-58	2600	/	
6.4	15	170	105	75	55	41	18-2		4-14	140	100
	20	190	125	90	68	51	20-2	4	4-18	140	100
	25	210	135	100	78	58	22-2	4	4-18	215	180
	32	230	150	110	82	66	24-2	4	4-23	270	180
	40	240	165	125	95	76	24-3	4	4-23	345	200
	50	250	175	135	105	88	26-3	4	4-23	470	200
	65	280	200	160	130	110	28-3	4	8-23	520	250
	80	310	210	170	140	121	30-3	4.5	8-23	570	300
	100	350	250	200	168	150	32-3	4.5	8-25	700	300
	125	400	295	240	202	176	36-3	4.5	8-34	780	350
	150	450	340	280	240	204	38-3	4.5	12-34	850	350
	200	550	405	345	300	260	44-3	4.5	12-41	1035	400
	250	650	470	400	352	313	48-3	4.5	16-41	1050	560
	300	750	530	460	412	364	54-4	4.5	16-36	1470	640
	350	850	595	525	475	422	60-5	5	14-48	1718	700
	400	950	670	585	525	472	66-4	5	20-54	1885	750
500	1150	800	705	640	576	70-4	5	20-58	2410	850	
600	1350	930	820	750	678	76-4	6	20-58	2895	1000	