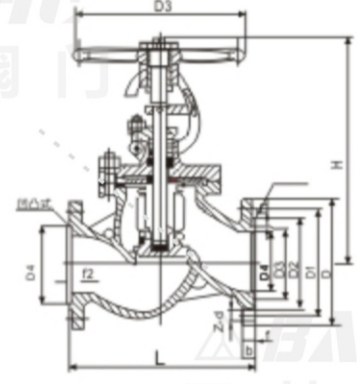
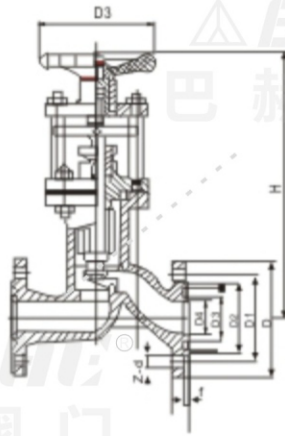


波纹管截止阀
Bellows globe valve



产品特点 Features

波纹管截止阀，闸阀具有双重密封装置除填料外还有不锈钢波纹管作密封元件，密封性最佳
Bellows globe valve, the gate valve has a double sealing device. In addition to the packing, there is a stainless steel bellows as the sealing element, which has the best sealing performance.

试验压力 test pressure

试验项目 Pilot projects	试验介质 Test medium	公称压力 Nominal pressure			
		PN 6	PN 16	PN 25	PN 40
壳体试验 Shell test	水 water	0.9	2.4	3.8	6.0
高压密封试验 High pressure sealing test	水 water	0.7	1.8	2.8	4.4
低压密封试验 Low pressure sealing test	气 Gas	0.6	0.6	0.6	0.6

主要零件材料 Material of main parts

零件名称 Part Name	阀门材料代号 Valve material code	
	碳钢阀 C Carbon steel valve C	不锈钢 P Stainless steel P
阀体 Body	WCB堆焊不锈钢 WCB surfacing stainless steel	ZG1Cr18Ni9Ti
阀盖 Bonnet	WCB	ZG1Cr18Ni9Ti
阀杆 Stem	2Cr13	1Cr18Ni9Ti
阀瓣 Disc	1Cr18Ni9Ti堆硬质合金 1Cr18Ni9Ti heap cemented carbide	1Cr18Ni9Ti堆硬质合金 1Cr18Ni9Ti heap cemented carbide
波纹管 Bellows	1Cr18Ni9Ti	1Cr18Ni9Ti
阀杆螺母 Valve stem nut	ZQA19-4	ZQA19-4
填料 Packing	柔性石墨 Flexible graphite	柔性石墨或聚四氟乙烯 Flexible graphite or polytetrafluoroethylene
垫片 Gasket	缠绕式垫片 Spiral wound gasket	缠绕式垫片或聚四氟乙烯 Spiral wound gasket or PTFE

※CJc4D-6P, CJ6B1W-6P阀瓣密封面为氟乙烯 (DN300、400除外)

※CJc4D-6P, CJ6B1W-6P disc sealing surface is vinyl fluoride (except DN300, 400)

CJc4D1W-6P CJc4A1W-16P CJc4A1W-25P CJc4A1W-40P CJc4A1W-16C CJc4A1W-25C Jc4E1W-40

外形尺寸和连接尺寸 External dimensions and connection dimensions

DN	L	H	D	D1	D2	D3	b1	f1	D4	f2	D0	f	b	Z-d
10	130	202	90	60	42	23	6	3	35	3	120	2	14 16	4-13.5
15	130	202	95	65	47	28	6	3	40	3	120	2	14 16	4-13.5
20	150	231 228	105	75	58	35	8	3	51	3	140 160	2	14 16	4-13.5
25	160	231 228	115	85	68	42	8	3	58	3	140 160	2	14 16	4-13.5
32	180	273	120	90	70	48	6	4	66	3	120	2	14	4-14
		286	140	100	78	50	8	3			160		16	4-17.5
		274		18										
40	200	278	130	100	80	54	8	4	76	3	120	3	14	4-14
		317	150	110	88	60	8	3			200		16	4-17.5
		245		18										
50	230	355	140	110	90	65	8	4	88	3	140	3	14	4-14
		317	165	125	102	72	8	3			200		16	4-17.5
		396		20										
65	290	331	185	145	122	94	8	3	110	3	240	3	18	4-17.5
		399	280	22	8-17.5									
80	310	402	200	160	133	105	8	3	121	3	240	3	20	8-17.5
		405	280	22										
100	350	416	220	190	158	128	11	3.5	150	3.5	320	3	20	8-17.5
		460	235	190									24	8-22
125	400	467	250	210	184	154	11	3.5	-	-	360	3	22	8-17.5
			270	220									28	8-26
150	480	525	285	240	212	182	11	3.5	-	-	360	3	24	8-22
			300	250									30	8-26
200	600	611	340	310	278	-	-	-	260	3.5	500	3	26	12-22
			360	310	278								30	12-27
250	△650	750	405	355	320	291	11	4.5	-	-	840	3	30	15-25
300	△750	754	435	395	362	335	11	4.5	-	-	500	4	24	12-23
400	△950	954	535	495	462	435	11	5	-	-	720	4	28	16-23

说明：

- 1、结构长度符合CVA2.5-83的规定（带△者除外）
- 2、法兰连接尺寸符合CB2555-81的规定。
- 3、法兰密封面型式：PN16为光滑式；PN6、PN25为杆槽式；PN40为凸凹式。也可按用户要求加工。

Description:

1. The length of the structure complies with the regulations of CVA2.5-83 (except those with △)
2. The flange connection size conforms to the regulations of CB2555-81.
3. Flange sealing surface type: PN16 is smooth type; PN6 and PN25 are rod groove type; PN40 is convex and concave type. It can also be processed according to user requirements.