

用途及特点 Applications and features

本阀启闭件是一个圆盘形的蝶板，在阀体内绕其自身的轴线旋转，从而达到启闭或调节作用，具有：

- 1、结构简单、体积小、重量轻。
- 2、启闭迅速、省力、流体阻力小。
- 3、调节性能好，可在0~90°灵敏调节，适用于给排水、高层建筑、消防、石油、化工、医药、食品等管路上作为启闭或调节使用。

The valve opening and closing part is a disc-shaped butterfly plate, which rotates around its own axis in the valve body to achieve the opening and closing or adjustment function. It has:

1. Simple structure, small size and light weight.
2. Fast opening and closing, labor saving, and low fluid resistance.
3. Good adjustment performance, can be adjusted sensitively at 0~90°, suitable for opening and closing or adjustment on pipelines of water supply and drainage, high-rise buildings, fire fighting, petroleum, chemical industry, medicine, food, etc.

采用标准 Applicable standards

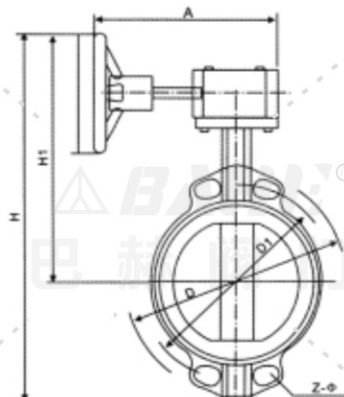
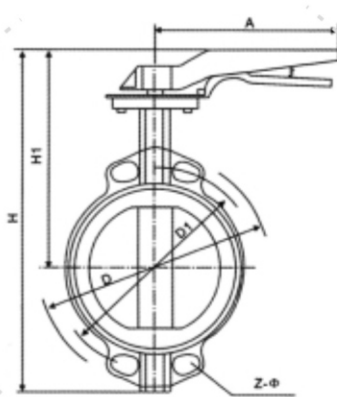
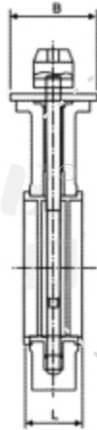
设计标准 Standards of design	GB 12238、API609、JIS B2064
法兰标准 Standards for flanges	GB 4216、GB9113、GB9115
结构长度 Face-to-face dimension	GB/T 15188.2
压力试验 Pressure tests	GB/T13927、JB/T9092

主要技术参数 Technical specifications

公称通径 Nominal diameter	DN(mm)	40~1200				
公称压力、 Nominal pressure	PN(MPa)	0.25	0.6	1.0	1.6	
试验压力Ps(MPa) Test pressure	壳体强度 Shell test	0.375	0.9	1.5	2.4	
	密封性能 Seal test	0.275	0.66	1.1	1.76	
适用介质 Applicable mediums	水、油品、蒸汽、海水、酸类 Water、Oils、steam、seawater、acids					
适用温度 Applicable temperature (°C)	橡胶 X Rubber	丁腈橡胶 J NBR	乙丙橡胶 XB EPR JB	聚四氟稀 XC FC PTFE F46	硅橡胶 XD Silicone JD rubber	氟橡胶 XE FPM JE
	0~80°C	-20~+80°C	-40~+135°C	-40~+150°C	-70~+25°C	-15~+250°C

主要零件的材质 Material for main parts

零件名称 Part name	材料 Material
阀体 Body	铸铁、球墨铸铁、铸钢、不锈钢、铬镍铝钛钢 Cast iron, ductile iron, cast steel, stainless steel, Cr-Ni-Mo-Ti steel
蝶板 Disc	铸铁、球墨铸铁、铸钢、不锈钢、铬镍铝钛钢 Cast iron, ductile iron, cast steel, stainless steel, Cr-Ni-Mo-Ti steel
阀杆 Stem	碳钢、不锈钢、铬镍铝钛钢 Carbon steel, stainless steel, Cr-Ni-Mo-Ti steel
密封面 Sealing face	氟丁胶、丁腈胶、乙丙胶、氟塑料 CR/NBR/EPR/Fluoroplastics
填料 Packing	氟塑料、柔性石墨、橡胶、V型垫 Fluoroplastics、flexible graphite、rubber、V-gasket



主要外形及连接尺寸 External and connection dimensions

公称压力 PN	公称口径 DN		L	0.6MPa		1.0MPa		1.6MPa		H	H1	A	B
	mm	inch		D1	Z-d	D1	Z-d	D1	Z-d				
0.6 1.0 1.6	40	1.5"	33	100	4-14	110	4-18	110	4-18	220	150	270	118
	50	2"	43	110	4-14	125	4-18	125	4-18	270	190	270	118
	65	2.5"	46	130	4-14	145	4-18	145	4-18	295	205	270	118
	80	3"	46	150	4-18	160	8-18	160	8-18	305	210	270	118
	100	4"	52	170	4-18	180	8-18	180	8-18	340	215	270	118
	125	5"	56	200	8-18	210	8-18	210	8-18	370	245	310	118
	150	6"	56	225	8-18	240	8-22	240	8-22	395	255	310	118
	200	8"	60	280	8-18	295	8-22	295	12-22	475	300	370	165
	250	10"	68	335	12-18	350	12-22	355	12-26	690	484	283	165
	300	12"	78	395	12-22	400	12-22	410	12-26	770	530	334	175
	350	14"	78	445	12-22	460	16-22	470	16-26	830	560	334	175
	400	16"	102	495	16-22	515	16-26	525	16-30	910	595	425	210
	450	18"	114	550	16-22	565	20-26	585	20-30	938	618	425	210
	500	20"	127	600	20-22	620	20-26	650	20-33	993	650	425	210
	600	24"	154	705	20-26	725	20-30	770	20-36	1131	718	425	210
	700	28"	165	810	24-26	840	24-30	840	24-36	1476	998	620	320
800	32"	190	920	24-30	950	24-33	950	24-39	1533	1008	620	320	
900	36"	203	1020	24-30	1050	28-33	1050	28-39	1655	1070	620	320	
1000	40"	216	1120	28-30	1160	28-36	1170	28-42	1765	1125	620	400	
1200	48"	254	1340	32-33	1380	32-39	1390	32-48	1995	1240	620	400	

采用标准
Applicable standards

设计标准 Standard of design; Gb12238 结构长度 Face-to-face dimension; Gb1221 法兰 Flanges; GB/17241.6 PN1.0MPa